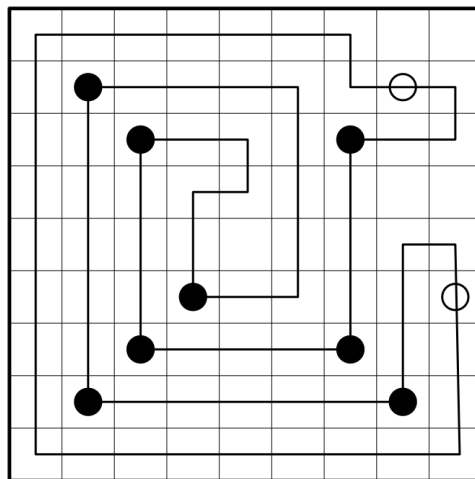
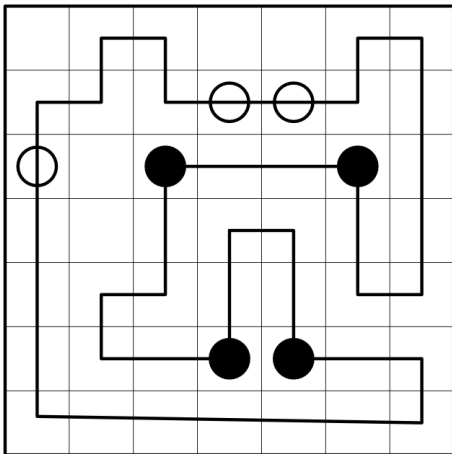
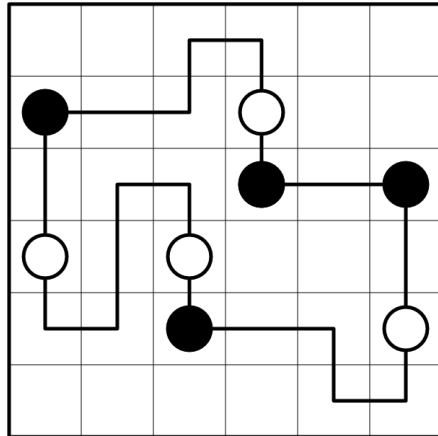
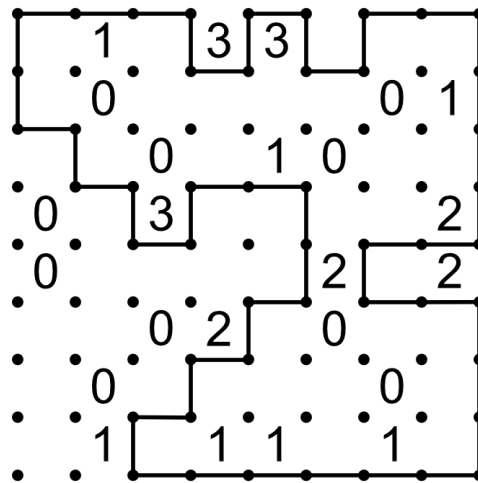
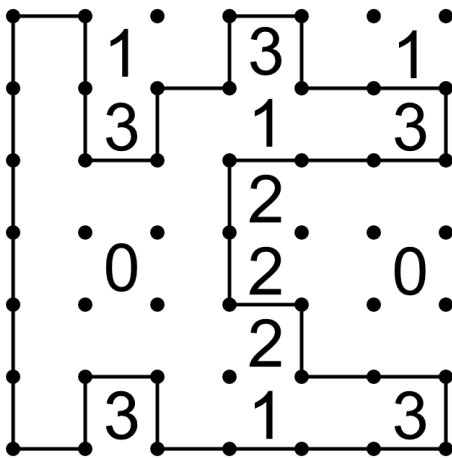
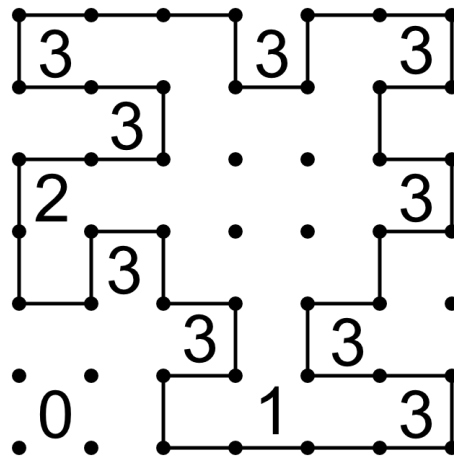


1 Masyu: 3 puzzles, 5 points each



2 Slitherlink: 3 puzzles, 5 points each





4 Larger puzzles: 3 puzzles, 5 points each

